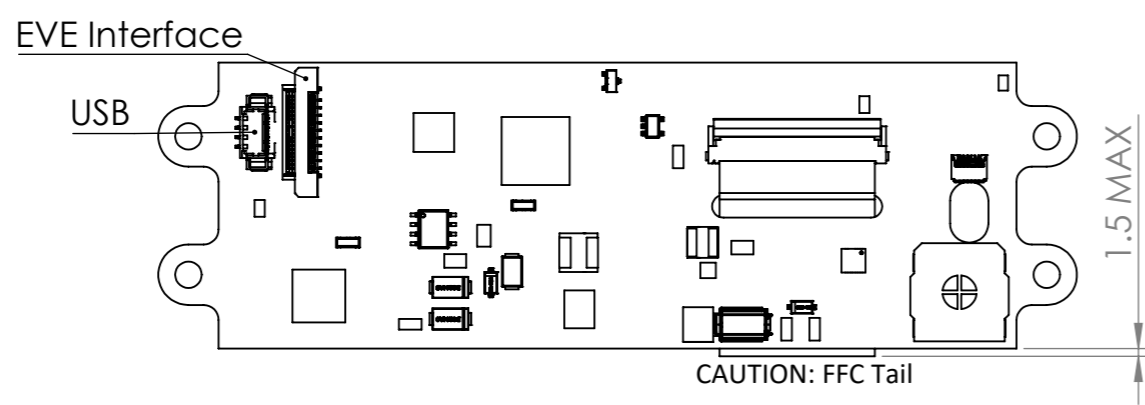
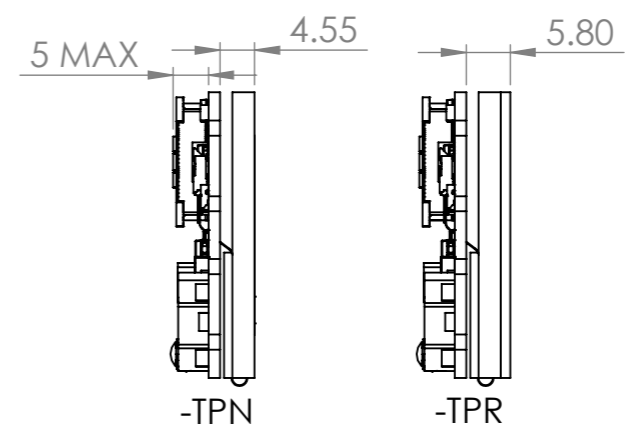
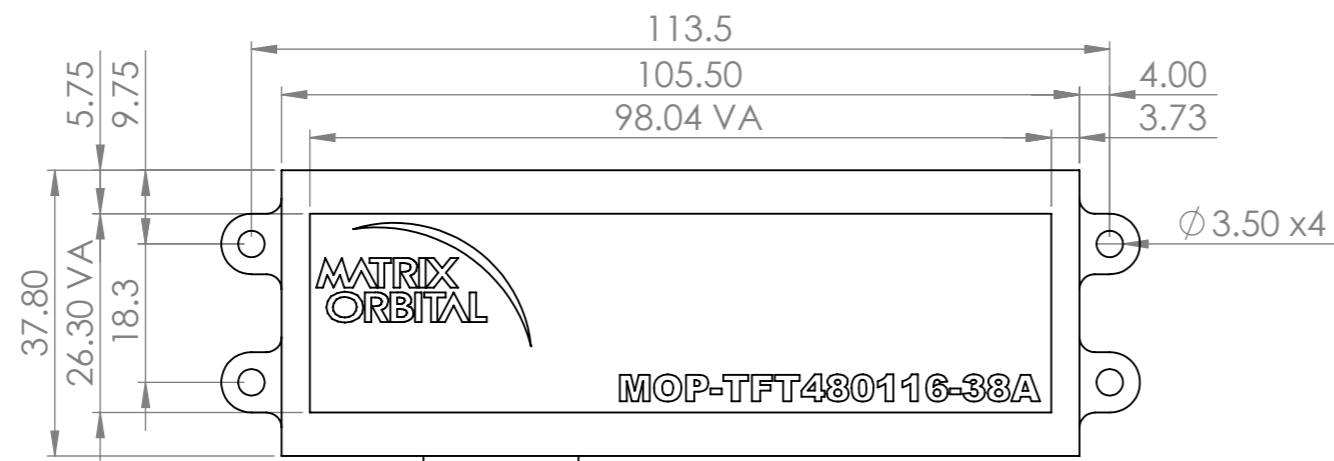


8 7 6 5 4 3 2 1

REVISIONS				
ZONE	REV.	DESCRIPTION	DATE	APPROVED



PROPRIETARY AND CONFIDENTIAL
 THE INFORMATION CONTAINED IN THIS DRAWING IS THE SOLE PROPERTY OF MATRIX ORBITAL. ANY REPRODUCTION IN PART OR AS A WHOLE WITHOUT THE EXPRESSED WRITTEN PERMISSION OF MATRIX ORBITAL IS STRICTLY PROHIBITED.

PAPER SIZE: A3	UNLESS OTHERWISE SPECIFIED: DIMENSIONS ARE IN mm TOLERANCES: FRACTIONAL ± 0.1 TWO PLACE DECIMAL ±0.01 THREE PLACE DECIMAL ±0.001 ANGULAR: MACH ± 0.5°	TITLE: EVE3x-38A R1.0		
Printed On: 2026-04-29	Drawn By: Brian Ingwersen	CUSTOM NUM: N/A	PCB/HDW REV: 1.0.x	DOC REV: A
DO NOT SCALE DRAWING SCALE: 1:1		SHEET 1 OF 1		

8 7 6 5 4 3 2 1

F
E
D
C
B
A

F
E
D
C
B
A